

CELLBOX wall-mount chiller (KW) and freezer (TW) units – R452a

The CELLBOX BLOCK SYSTEMS consist of a ready-to-use condensation unit, a vaporizer, and an electronic temperature controller. They provide a simple solution for various refrigeration applications. They are available in different designs and deliver reliability due to accurate selection of components, our most stringent production and quality controls, and our long-time experience in refrigeration.

GENERAL TECHNICAL CHARACTERISTICS

- **Coolant: R452a**
- Self-supporting housing consisting of galvanised sheets, powder-coated
- Electronic temperature display and controller which - by means of an interface converter available as optional equipment - facilitate the connection to the ELIWELL TELEVIS / EWTD monitoring and remote maintenance system.
- Compressor (hermetic or semi-hermetic) with thermal coil protection
- CE approval
- Operating conditions: + 5 / + 43° C
- Winter and/or tropics controller optional
- Air-cooled condensers (water-cooled condensers are available upon request)
- Expansion by means of capillary tube, expansion valve optional
- Automatic defrosting programmable by means of controller
- Condensed water discharge directly into condensate evaporation bowl
- Heat exchanger with copper pipes and aluminium ribs

CELLBOX KW – Wall-Mount Units for Chilling – R452a**- 5 / + 5 °C**

Compact ready-to-use chilling unit for wall mounting
 Piggyback devices, can also be provided as slide-in devices upon request

Coolant: **R452 a****Standard equipment:**

- Electronic cooling controller
- Switch ON / OFF and light switch
- Power cord 2.5 m with plug. Fuse protection provided by customer
- Connection cable 2.5 m for door contact switch
- Lighting with 2.5 m cord
- Heated evaporation bowl for condensate
- High pressure switch
- For ambient temperature of up to 43°C

Refer to pages 6 – 7 for figures and dimensions

Type	CELLBOX KW 100	CELLBOX KW 200	CELLBOX KW 300	CELLBOX KW 400								
Form	A	A	B	B								
Electrical Parameters												
Voltage Volt/Ph/Hz	230 / 1 / 50	230 / 1 / 50	230 / 1 / 50	400 / 3 / 50								
Power consumption W	829	1083	1200	1286								
Current consumption A	5,2	5,3	5,8	3,0								
Compressor												
Type / output W	Fully hermetic – 370	Fully hermetic – 735	Fully hermetic – 826	Fully hermetic – 919								
Condenser												
Fan (diameter) mm	1 x 254	1 x 254	1 x 300	1 x 300								
Air quantity m ³ / h	683	657	1270	1206								
Vaporizer												
Fan (diameter) mm	1 x 200	1 x 200	2 x 200	2 x 200								
Air quantity m ³ / h	570	500	1030	900								
Air dispersion m	5	5	5	5								
Expansion	Capillary tube	Capillary tube	Capillary tube	Capillary tube								
Type of defrosting	Hot gas	Hot gas	Hot gas	Hot gas								
Weight net / gross (kg)	49 / 62	61 / 74	76 / 101	77 / 102								
Noise level¹⁾ db(A)	34	42,2	44,2	44,4								
Cooling output W												
Coldroom temperature °C	+5	0	-5	+5	0	-5	+5	0	-5	+5	0	-5
At +32° C outside temp.	1107	975	851	1621	1420	1229	2260	1960	1678	2604	2234	1890
At +43° C outside temp.	936	826	716	1390	1209	1041	1922	1664	1422	2209	1894	1597
Coldroom volume m³	All values based on 80mm PUR insulation thickness											
Coldroom temperature °C	+5	0	-5	+5	0	-5	+5	0	-5	+5	0	-5
At +32° C outside temp.	9,1	6,0	4,0	16,0	11,1	7,4	23,9	16,4	10,6	29,1	19,8	12,6
At +43° C outside temp.	6,0	4,2	3,3	10,8	7,1	6,2	17,7	11,3	8,7	21,8	13,6	10,4

Accessories:

- Water-cooled condenser
- Winter controller complete consisting of: ²⁾
 - Pressostatic speed controller
 - Oil sump heater
 - Low pressure switch
- Oil sump heater
- Low pressure switch
- Panel for slide-in device
- Assembly opening and/or recess

¹⁾ Measured in 10 m distance; variations possible depending on ambient conditions.²⁾ Winter control necessary at ambient temperatures of < +5°C. When mounted outside, unit must be roofed in.

CELLBOX KW – Wall-Mount Units for Chilling – R452a

- 5 / + 5 °C

Compact ready-to-use chilling unit for wall mounting
Piggyback devices, can also be provided as slide-in devices upon request

Coolant: **R452 a**

Standard equipment:

- Electronic cooling controller
- Switch ON / OFF and light switch
- Power cord 2.5 m with plug. Fuse protection provided by customer
- Connection cable 2.5 m for door contact switch
- Lighting with 2.5 m cord
- Heated evaporation bowl for condensate
- High pressure switch
- For ambient temperature of up to 43°C

Refer to pages 7-8 for figures and dimensions

Type	CELLBOX KW 500	CELLBOX KW 600	CELLBOX KW 700						
Form	B	C	C						
Electrical Parameters									
Voltage Volt/Ph/Hz	400 / 3 / 50	400 / 3 / 50	400 / 3 / 50						
Power consumption W	1504	1540	1915						
Current consumption A	3.8	4.0	4.5						
Compressor									
Type / output W	Fully hermetic - 1100	Fully hermetic - 1470	Fully hermetic- 2200						
Condenser									
Fan (diameter) mm	1 x 300	1 x 350	1 x 350						
Air quantity m ³ / h	1206	2116	2035						
Vaporizer									
Fan (diameter) mm	2 x 200	1 x 350	1 x 350						
Air quantity m ³ / h	900	2050	1740						
Air dispersion m	5	8	8						
Expansion	Capillary tube	Capillary tube	Capillary tube						
Type of defrosting	Hot gas	Hot gas	Hot gas						
Weight net / gross (kg)	83 / 108	97 / 129	122 / 154						
Noise level¹⁾ db(A)	44,7	44,3	44,6						
Cooling output W									
Coldroom temperature °C	+5	0	-5	+5	0	-5	+5	0	-5
At +32° C outside temp.	2906	2527	2166	3541	2995	2562	3931	3389	2870
At +43° C outside temp.	2440	2116	1810	2865	2475	2106	3226	2767	2324
Coldroom volume m³	All values based on 80mm PUR insulation thickness								
Coldroom temperature °C	+5	0	-5	+5	0	-5	+5	0	-5
At +32° C outside temp.	34,2	23,9	15,4	42,1	31,1	20,2	49,1	37,6	24,7
At +43° C outside temp.	25,2	16,0	12,4	31,3	19,8	15,2	36,1	22,6	16,7

Accessories:

- Water-cooled condenser
- Winter controller complete consisting of: ²⁾
 - Pressostatic speed controller
 - Oil sump heater
 - Low pressure switch
- Oil sump heater
- Low pressure switch
- Panel for slide-in device
- Assembly opening and/or recess

¹⁾ Measured in 10 m distance; variations possible depending on ambient conditions.

²⁾ Winter control necessary at ambient temperatures of < +5°C. When mounted outside, unit must be roofed in.

CELLBOX TW – Wall-Mount Units for Freezing – R452a

-15 / -25 °C

Compact ready-to-use freezing unit for wall mounting
Piggyback devices, can also be provided as slide-in devices upon request

Coolant: R452 a

Standard equipment:

- Electronic cooling controller
- Switch ON / OFF and light switch
- Power cord 2.5 m with plug. Fuse protection provided by customer
- Connection cable 2.5 m for door contact switch
- Lighting with 2.5 m cord
- Heated evaporation bowl for condensate
- High pressure switch
- Conn. cable 2.5 m for door frame heater
- For ambient temperature of up to 43°C

Refer to pages 6-7 for figures and dimensions

Type	CELLBOX TW 100	CELLBOX TW 200	CELLBOX TW 300						
Form	A	B	B						
Electrical Parameters									
Voltage Volt/Ph/Hz	230 / 1 / 50	230 / 1 / 50	400 / 3 / 50						
Power consumption W	999	1061	1422						
Current consumption A	5.4	5.6	3.2						
Compressor									
Type / output W	Fully hermetic - 1100	Fully hermetic - 1121	Fully hermetic – 1723						
Condenser									
Fan (diameter) mm	1 x 254	1 x 300	1 x 300						
Air quantity m ³ / h	657	1270	1206						
Vaporizer									
Fan (diameter) mm	1 x 200	2 x 200	2 x 200						
Air quantity m ³ / h	500	1030	900						
Air dispersion m	5	5	5						
Expansion	Expansion Valve	Expansion Valve	Expansion Valve						
Type of defrosting	Hot gas	Hot gas	Hot gas						
Weight net / gross (kg)	60 / 73	79 / 104	91 / 116						
Noise level¹⁾ db(A)	42,6	44,4	45,0						
Cooling output W									
Coldroom temp. °C	-15	-20	-25	-15	-20	-25	-15	-20	-25
At +32° C outside temp.	1137	953	780	1523	1265	1026	1910	1577	1269
At +43° C outside temp.	967	802	646	1257	1036	829	1618	1318	1039
Coldroom volume m³	All values based on 100mm PUR insulation thickness								
Coldroom temperature °C	-15	-20	-25	-15	-20	-25	-15	-20	-25
At +32° C outside temp.	10,8	6,1	3,7	21,7	11,1	6,0	25,8	16,3	9,5
At +43° C outside temp.	6,9	4,3	2,7	14,1	7,3	5,1	17,1	9,7	6,0

Accessories:

- Water-cooled condenser
- Winter controller complete consisting of: ²⁾
 - Pressostatic speed controller
 - Oil sump heater
 - Low pressure switch
- Oil sump heater
- Low pressure switch
- Panel for slide-in device
- Assembly opening and/or recess

¹⁾ Measured in 10 m distance; variations possible depending on ambient conditions.

²⁾ Winter control necessary at ambient temperatures of < +5°C. When mounted outside, unit must be roofed in.

CELLBOX TW – Wall-mount Units for Freezing – R452a

-15 / -25 °C

**Compact ready-to-use freezing unit for wall mounting
Piggyback devices, can also be provided as slide-in devices upon request**

Coolant: R452 a

Standard equipment:

- Electronic cooling controller
- Switch ON / OFF and light switch
- Power cord 2.5 m with plug. Fuse protection provided by customer
- Connection cable 2.5 m for door contact switch
- Lighting with 2.5 m cord
- Heated evaporation bowl for condensate
- High pressure switch
- Conn. cable 2.5 m for door frame heater
- For ambient temperature of up to 43°C

Refer to p. 8-9 for figures and dimensions

Type	CELLBOX TW 400	CELLBOX TW 500	CELLBOX TW 600						
Form	C	C	D						
Electrical Parameters									
Voltage Volt/Ph/Hz	400 / 3 / 50	400 / 3 / 50	400 / 3 / 50						
Power consumption W	1458	1777	2871						
Current consumption A	3.5	4.2	5.6						
Compressor									
Type / output W	Fully hermetic - 1470	Fully hermetic – 2200	Fully hermetic - 2940						
Condenser									
Fan (diameter) mm	1 x 350	1 x 350	2 x 300						
Air quantity m ³ / h	2116	2035	1900						
Vaporizer									
Fan (diameter) mm	1 x 350	1 x 350	2 x 315						
Air quantity m ³ / h	2050	1740	3109						
Air dispersion m	8	8	9						
Expansion	Expansion Valve	Expansion Valve	Expansion Valve						
Type of defrosting	Hot gas	Hot gas	Hot gas						
Weight net / gross (kg)	111 / 143	125 / 157	142 / 181						
Noise level¹⁾ db(A)	44,6	46,3	44,5						
Cooling output W									
Coldroom temperature °C	-15	-20	-25	-15	-20	-25	-15	-20	-25
At +32° C outside temp.	2314	1914	1543	2846	2343	1879	3633	2939	2309
At +43° C outside temp.	1938	1578	1243	2377	1936	1529	2991	2397	1854
Coldroom volume m³	All values based on 100mm PUR insulation thickness								
Coldroom temperature °C	-15	-20	-25	-15	-20	-25	-15	-20	-25
At +32° C outside temp.	1938	1578	1243	2377	1936	1529	2991	2397	1854
At +43° C outside temp.	22,6	16,4	7,3	35,0	27,0	11,8	40,3	30,8	20,2

Accessories:

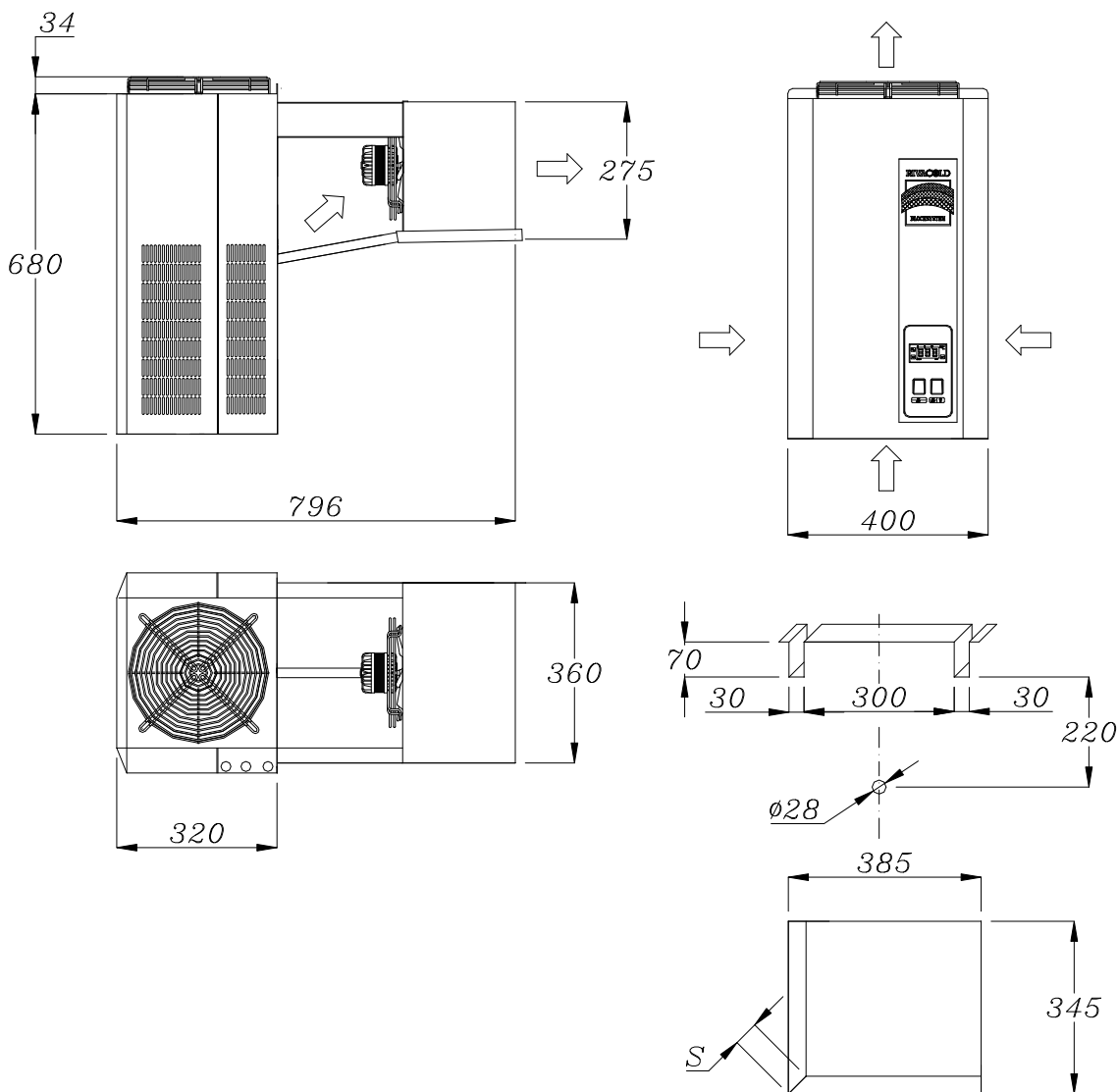
- Water-cooled condenser
- Winter controller complete consisting of: ²⁾
 - Pressostatic speed controller
 - Oil sump heater
 - Low pressure switch
- Oil sump heater
- Low pressure switch
- Panel for slide-in device
- Assembly opening and/or recess

¹⁾ Measured in 10 m distance; variations possible depending on ambient conditions.

²⁾ Winter control necessary at ambient temperatures of < +5°C. When mounted outside, unit must be roofed in.

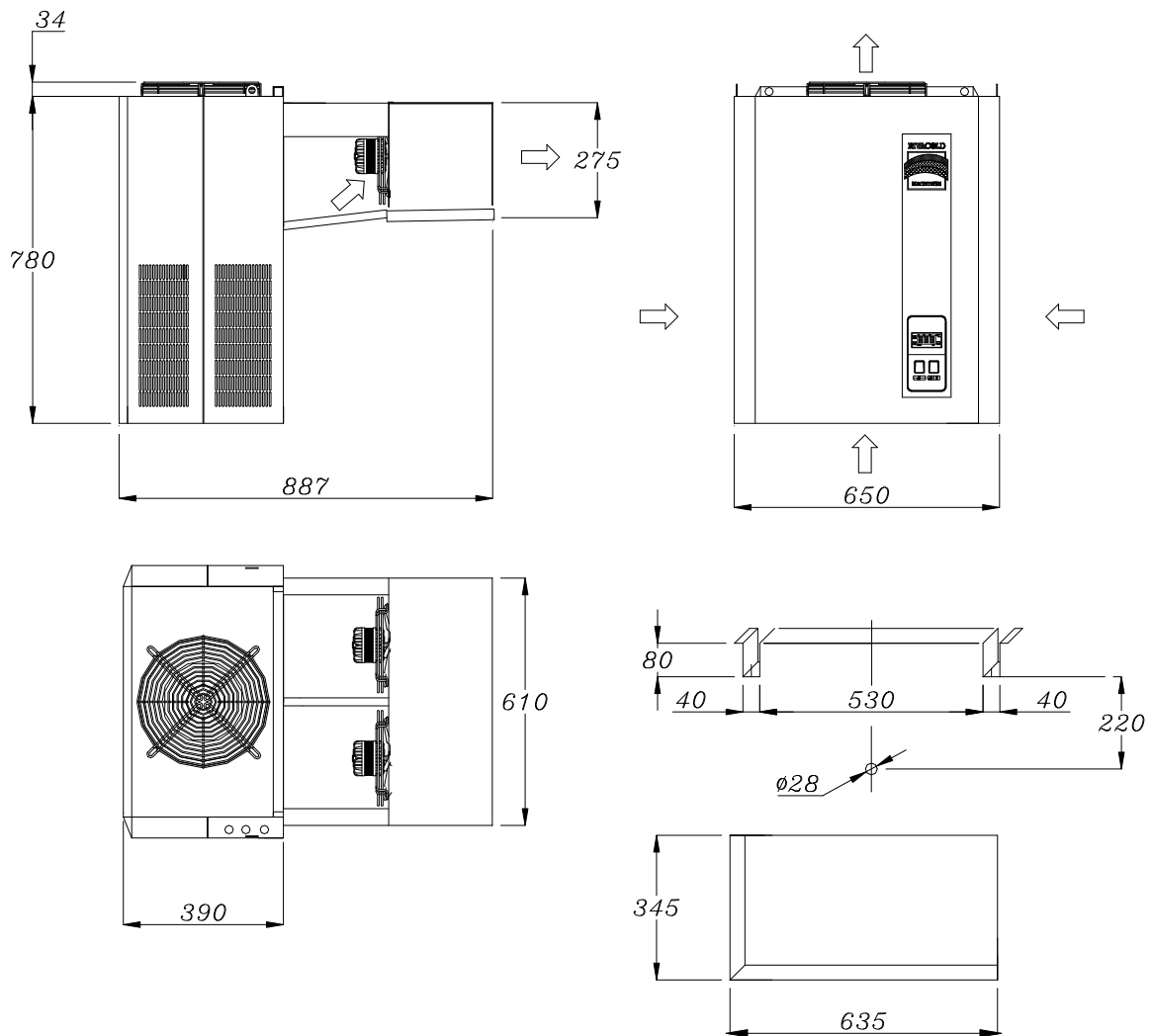
CELLBOX Wall-mount units (R452a) – Figures and Dimensions

FORM A Packaging dimensions W x L x H: 870 x 485 x 895 mm.



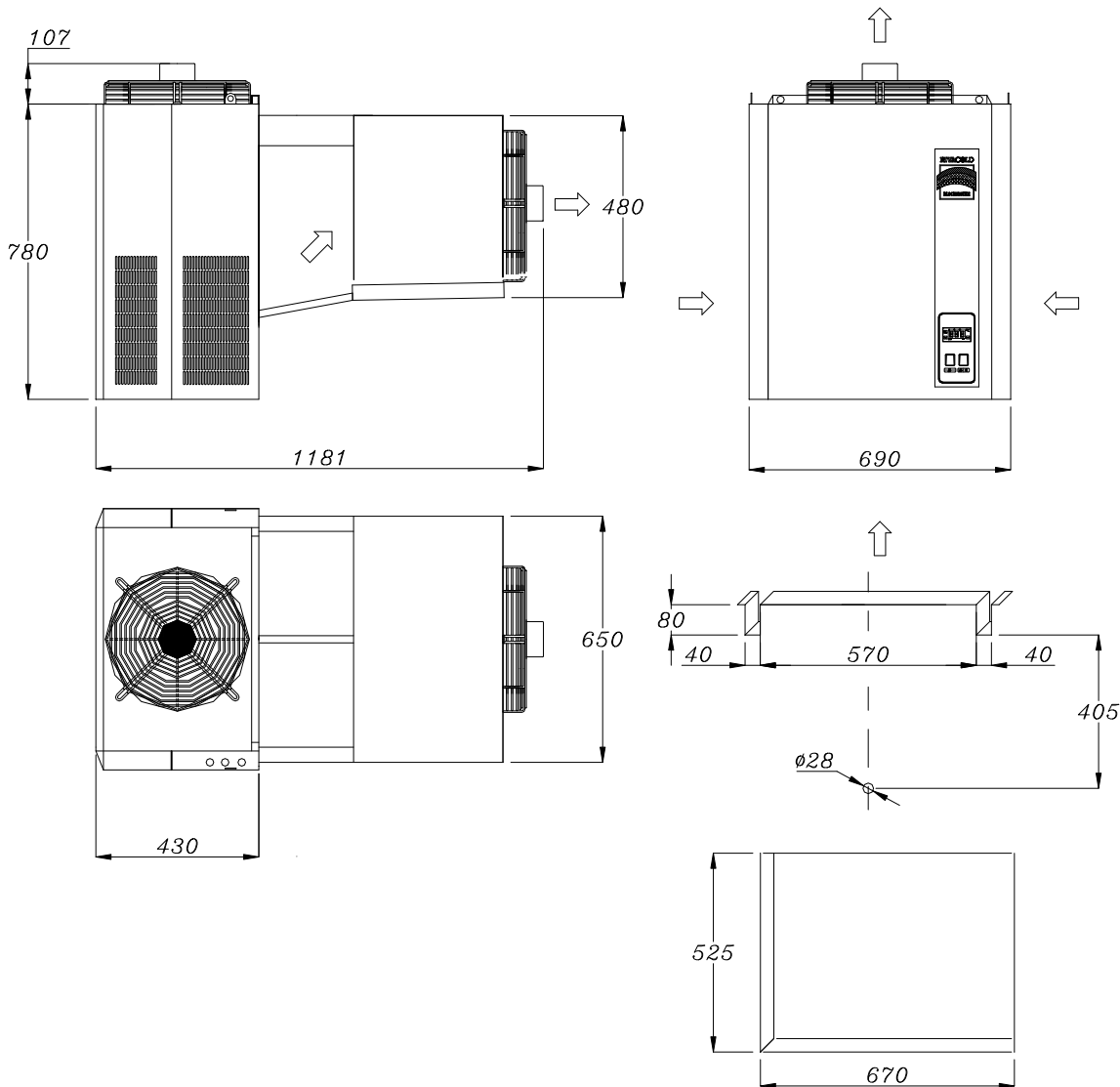
CELLBOX Wall-mount Units (R452a) – Figures and Dimensions

FORM B Packaging diemensions W x L x H: 785 x 1020 x 1025 mm.



CELLBOX Wall-mount Units (R452a) – Figures and Dimensions

FORM C Packaging dimensions W x L x H: 835 x 1330 x 1065 mm.



CELLBOX Wall-mount Units (R452a) – Figures and Dimensions

FORM D Packaging dimensions W x L x H: 1200 x 1192 x 980 mm

