

**CELLBOX wall-mount chiller (KW) and freezer (TW) units – R452a**

The CELLBOX BLOCK SYSTEMS consist of a ready-to-use condensation unit, a vaporizer, and an electronic temperature controller. They provide a simple solution for various refrigeration applications. They are available in different designs and deliver reliability due to accurate selection of components, our most stringent production and quality controls, and our long-time experience in refrigeration.

**GENERAL TECHNICAL CHARACTERISTICS**

- **Coolant: R452a**
- Self-supporting housing consisting of galvanised sheets, powder-coated
- Electronic temperature display and controller which - by means of an interface converter available as optional equipment - facilitate the connection to the ELIWELL TELEVIS / EWTD monitoring and remote maintenance system.
- Compressor (hermetic or semi-hermetic) with thermal coil protection
- CE approval
- Operating conditions: + 5 / + 43° C
- Winter and/or tropics controller optional
- Air-cooled condensers (water-cooled condensers are available upon request)
- Expansion by means of capillary tube, expansion valve optional
- Automatic defrosting programmable by means of controller
- Condensed water discharge directly into condensate evaporation bowl
- Heat exchanger with copper pipes and aluminium ribs

**CELLBOX KW – Wall-Mount Units for Chilling – R452a****- 5 / + 5 °C**

Compact ready-to-use chilling unit for wall mounting  
 Piggyback devices, can also be provided as slide-in devices upon request

Coolant: **R452 a****Standard equipment:**

- Electronic cooling controller
- Switch ON / OFF and light switch
- Power cord 2.5 m with plug. Fuse protection provided by customer
- Connection cable 2.5 m for door contact switch
- Lighting with 2.5 m cord
- Heated evaporation bowl for condensate
- High pressure switch
- For ambient temperature of up to 43°C

Refer to pages 6 – 7 for figures and dimensions

Type	CELLBOX KW 100	CELLBOX KW 200	CELLBOX KW 300	CELLBOX KW 400								
<b>Form</b>	<b>A</b>	<b>A</b>	<b>B</b>	<b>B</b>								
<b>Electrical Parameters</b>												
Voltage Volt/Ph/Hz	230 / 1 / 50	230 / 1 / 50	230 / 1 / 50	400 / 3 / 50								
Power consumption W	829	1083	1200	1286								
Current consumption A	5,2	5,3	5,8	3,0								
<b>Compressor</b>												
Type / output W	Fully hermetic – <b>370</b>	Fully hermetic – <b>735</b>	Fully hermetic – <b>826</b>	Fully hermetic – <b>919</b>								
<b>Condenser</b>												
Fan (diameter) mm	1 x 254	1 x 254	1 x 300	1 x 300								
Air quantity m <sup>3</sup> / h	683	657	1270	1206								
<b>Vaporizer</b>												
Fan (diameter) mm	1 x 200	1 x 200	2 x 200	2 x 200								
Air quantity m <sup>3</sup> / h	570	500	1030	900								
Air dispersion m	5	5	5	5								
Expansion	Capillary tube	Capillary tube	Capillary tube	Capillary tube								
<b>Type of defrosting</b>	Hot gas	Hot gas	Hot gas	Hot gas								
<b>Weight net / gross (kg)</b>	49 / 62	61 / 74	76 / 101	77 / 102								
<b>Noise level<sup>1)</sup> db(A)</b>	34	42,2	44,2	44,4								
<b>Cooling output W</b>												
Coldroom temperature °C	<b>+5</b>	<b>0</b>	<b>-5</b>	<b>+5</b>	<b>0</b>	<b>-5</b>	<b>+5</b>	<b>0</b>	<b>-5</b>	<b>+5</b>	<b>0</b>	<b>-5</b>
At +32° C outside temp.	1107	975	851	1621	1420	1229	2260	1960	1678	2604	2234	1890
At +43° C outside temp.	936	826	716	1390	1209	1041	1922	1664	1422	2209	1894	1597
<b>Coldroom volume m<sup>3</sup></b>					All values based on 80mm PUR insulation thickness							
Coldroom temperature °C	<b>+5</b>	<b>0</b>	<b>-5</b>	<b>+5</b>	<b>0</b>	<b>-5</b>	<b>+5</b>	<b>0</b>	<b>-5</b>	<b>+5</b>	<b>0</b>	<b>-5</b>
At +32° C outside temp.	9,1	6,0	4,0	16,0	11,1	7,4	23,9	16,4	10,6	29,1	19,8	12,6
At +43° C outside temp.	6,0	4,2	3,3	10,8	7,1	6,2	17,7	11,3	8,7	21,8	13,6	10,4

**Accessories:**

- Water-cooled condenser
- Winter controller complete consisting of: <sup>2)</sup>
  - Pressostatic speed controller
  - Oil sump heater
  - Low pressure switch
- Oil sump heater
- Low pressure switch
- Panel for slide-in device
- Assembly opening and/or recess

<sup>1)</sup> Measured in 10 m distance; variations possible depending on ambient conditions.<sup>2)</sup> Winter control necessary at ambient temperatures of < +5°C. When mounted outside, unit must be roofed in.

**CELLBOX KW – Wall-Mount Units for Chilling – R452a**

**- 5 / + 5 °C**

Compact ready-to-use chilling unit for wall mounting  
 Piggyback devices, can also be provided as slide-in devices upon request

Coolant: **R452 a**

**Standard equipment:**

- Electronic cooling controller
- Switch ON / OFF and light switch
- Power cord 2.5 m with plug. Fuse protection provided by customer
- Connection cable 2.5 m for door contact switch
- Lighting with 2.5 m cord
- Heated evaporation bowl for condensate
- High pressure switch
- For ambient temperature of up to 43°C

Refer to pages 7-8 for figures and dimensions

Type	CELLBOX KW 500	CELLBOX KW 600	CELLBOX KW 700						
<b>Form</b>	<b>B</b>	<b>C</b>	<b>C</b>						
<b>Electrical Parameters</b>									
Voltage Volt/Ph/Hz	400 / 3 / 50	400 / 3 / 50	400 / 3 / 50						
Power consumption W	1504	1540	1915						
Current consumption A	3.8	4.0	4.5						
<b>Compressor</b>									
Type / output W	Fully hermetic - <b>1100</b>	Fully hermetic - <b>1470</b>	Fully hermetic- <b>2200</b>						
<b>Condenser</b>									
Fan (diameter) mm	1 x 300	1 x 350	1 x 350						
Air quantity m <sup>3</sup> / h	1206	2116	2035						
<b>Vaporizer</b>									
Fan (diameter) mm	2 x 200	1 x 350	1 x 350						
Air quantity m <sup>3</sup> / h	900	2050	1740						
Air dispersion m	5	8	8						
Expansion	Capillary tube	Capillary tube	Capillary tube						
<b>Type of defrosting</b>	Hot gas	Hot gas	Hot gas						
<b>Weight net / gross (kg)</b>	83 / 108	97 / 129	122 / 154						
<b>Noise level<sup>1)</sup> db(A)</b>	44,7	44,3	44,6						
<b>Cooling output W</b>	All values based on 80mm PUR insulation thickness								
Coldroom temperature °C	<b>+5</b>	<b>0</b>	<b>-5</b>	<b>+5</b>	<b>0</b>	<b>-5</b>	<b>+5</b>	<b>0</b>	<b>-5</b>
At +32° C outside temp.	2906	2527	2166	3541	2995	2562	3931	3389	2870
At +43° C outside temp.	2440	2116	1810	2865	2475	2106	3226	2767	2324
<b>Coldroom volume m<sup>3</sup></b>	All values based on 80mm PUR insulation thickness								
Coldroom temperature °C	<b>+5</b>	<b>0</b>	<b>-5</b>	<b>+5</b>	<b>0</b>	<b>-5</b>	<b>+5</b>	<b>0</b>	<b>-5</b>
At +32° C outside temp.	34,2	23,9	15,4	42,1	31,1	20,2	49,1	37,6	24,7
At +43° C outside temp.	25,2	16,0	12,4	31,3	19,8	15,2	36,1	22,6	16,7

**Accessories:**

- Water-cooled condenser
- Winter controller complete consisting of: <sup>2)</sup>
  - Pressostatic speed controller
  - Oil sump heater
  - Low pressure switch
- Oil sump heater
- Low pressure switch
- Panel for slide-in device
- Assembly opening and/or recess

<sup>1)</sup> Measured in 10 m distance; variations possible depending on ambient conditions.

<sup>2)</sup> Winter control necessary at ambient temperatures of < +5°C. When mounted outside, unit must be roofed in.

**CELLBOX TW – Wall-Mount Units for Freezing – R452a****-15 / -25 °C**

Compact ready-to-use freezing unit for wall mounting

Coolant: **R452 a**

Piggyback devices, can also be provided as slide-in devices upon request

**Standard equipment:**

- Electronic cooling controller
- Switch ON / OFF and light switch
- Power cord 2.5 m with plug. Fuse protection provided by customer
- Connection cable 2.5 m for door contact switch
- Lighting with 2.5 m cord
- Heated evaporation bowl for condensate
- High pressure switch
- Conn. cable 2.5 m for door frame heater
- For ambient temperature of up to 43°C

Refer to pages 6-7 for figures and dimensions

Type	CELLBOX TW 100	CELLBOX TW 200	CELLBOX TW 300						
<b>Form</b>	<b>A</b>	<b>B</b>	<b>B</b>						
<b>Electrical Parameters</b>									
Voltage Volt/Ph/Hz	230 / 1 / 50	230 / 1 / 50	400 / 3 / 50						
Power consumption W	999	1061	1422						
Current consumption A	5.4	5.6	3.2						
<b>Compressor</b>									
Type / output W	Fully hermetic - <b>1100</b>	Fully hermetic - <b>1121</b>	Fully hermetic – <b>1723</b>						
<b>Condenser</b>									
Fan (diameter) mm	1 x 254	1 x 300	1 x 300						
Air quantity m <sup>3</sup> / h	657	1270	1206						
<b>Vaporizer</b>									
Fan (diameter) mm	1 x 200	2 x 200	2 x 200						
Air quantity m <sup>3</sup> / h	500	1030	900						
Air dispersion m	5	5	5						
Expansion	Expansion Valve	Expansion Valve	Expansion Valve						
<b>Type of defrosting</b>	Hot gas	Hot gas	Hot gas						
<b>Weight net / gross (kg)</b>	60 / 73	79 / 104	91 / 116						
<b>Noise level<sup>1)</sup> db(A)</b>	42,6	44,4	45,0						
<b>Cooling output W</b>									
Coldroom temp. °C	<b>-15</b>	<b>-20</b>	<b>-25</b>	<b>-15</b>	<b>-20</b>	<b>-25</b>	<b>-15</b>	<b>-20</b>	<b>-25</b>
At +32° C outside temp.	1137	953	780	1523	1265	1026	1910	1577	1269
At +43° C outside temp.	967	802	646	1257	1036	829	1618	1318	1039
<b>Coldroom volume m<sup>3</sup></b>	All values based on 100mm PUR insulation thickness								
Coldroom temperature °C	<b>-15</b>	<b>-20</b>	<b>-25</b>	<b>-15</b>	<b>-20</b>	<b>-25</b>	<b>-15</b>	<b>-20</b>	<b>-25</b>
At +32° C outside temp.	10,8	6,1	3,7	21,7	11,1	6,0	25,8	16,3	9,5
At +43° C outside temp.	6,9	4,3	2,7	14,1	7,3	5,1	17,1	9,7	6,0

**Accessories:**

- Water-cooled condenser
- Winter controller complete consisting of: <sup>2)</sup>
  - Pressostatic speed controller
  - Oil sump heater
  - Low pressure switch
- Oil sump heater
- Low pressure switch
- Panel for slide-in device
- Assembly opening and/or recess

<sup>1)</sup> Measured in 10 m distance; variations possible depending on ambient conditions.<sup>2)</sup> Winter control necessary at ambient temperatures of < +5°C. When mounted outside, unit must be roofed in.

**CELLBOX TW – Wall-mount Units for Freezing – R452a**

**-15 / -25 °C**

**Compact ready-to-use freezing unit for wall mounting  
Piggyback devices, can also be provided as slide-in devices upon request**

**Coolant: R452 a**

**Standard equipment:**

- Electronic cooling controller
- Switch ON / OFF and light switch
- Power cord 2.5 m with plug. Fuse protection provided by customer
- Connection cable 2.5 m for door contact switch
- Lighting with 2.5 m cord
- Heated evaporation bowl for condensate
- High pressure switch
- Conn. cable 2.5 m for door frame heater
- For ambient temperature of up to 43°C

**Refer to p. 8-9 for figures and dimensions**

Type	CELLBOX TW 400	CELLBOX TW 500	CELLBOX TW 600						
<b>Form</b>	<b>C</b>	<b>C</b>	<b>D</b>						
<b>Electrical Parameters</b>									
Voltage Volt/Ph/Hz	400 / 3 / 50	400 / 3 / 50	400 / 3 / 50						
Power consumption W	1458	1777	2871						
Current consumption A	3.5	4.2	5.6						
<b>Compressor</b>									
Type / output W	Fully hermetic - <b>1470</b>	Fully hermetic – <b>2200</b>	Fully hermetic - <b>2940</b>						
<b>Condenser</b>									
Fan (diameter) mm	1 x 350	1 x 350	2 x 300						
Air quantity m <sup>3</sup> / h	2116	2035	1900						
<b>Vaporizer</b>									
Fan (diameter) mm	1 x 350	1 x 350	2 x 315						
Air quantity m <sup>3</sup> / h	2050	1740	3109						
Air dispersion m	8	8	9						
Expansion	Expansion Valve	Expansion Valve	Expansion Valve						
<b>Type of defrosting</b>	Hot gas	Hot gas	Hot gas						
<b>Weight net / gross (kg)</b>	111 / 143	125 / 157	142 / 181						
<b>Noise level<sup>1)</sup> db(A)</b>	44,6	46,3	44,5						
<b>Cooling output W</b>									
Coldroom temperature °C	<b>-15</b>	<b>-20</b>	<b>-25</b>	<b>-15</b>	<b>-20</b>	<b>-25</b>	<b>-15</b>	<b>-20</b>	<b>-25</b>
At +32° C outside temp.	2314	1914	1543	2846	2343	1879	3633	2939	2309
At +43° C outside temp.	1938	1578	1243	2377	1936	1529	2991	2397	1854
<b>Coldroom volume m<sup>3</sup></b>	All values based on 100mm PUR insulation thickness								
Coldroom temperature °C	<b>-15</b>	<b>-20</b>	<b>-25</b>	<b>-15</b>	<b>-20</b>	<b>-25</b>	<b>-15</b>	<b>-20</b>	<b>-25</b>
At +32° C outside temp.	1938	1578	1243	2377	1936	1529	2991	2397	1854
At +43° C outside temp.	22,6	16,4	7,3	35,0	27,0	11,8	40,3	30,8	20,2

**Accessories:**

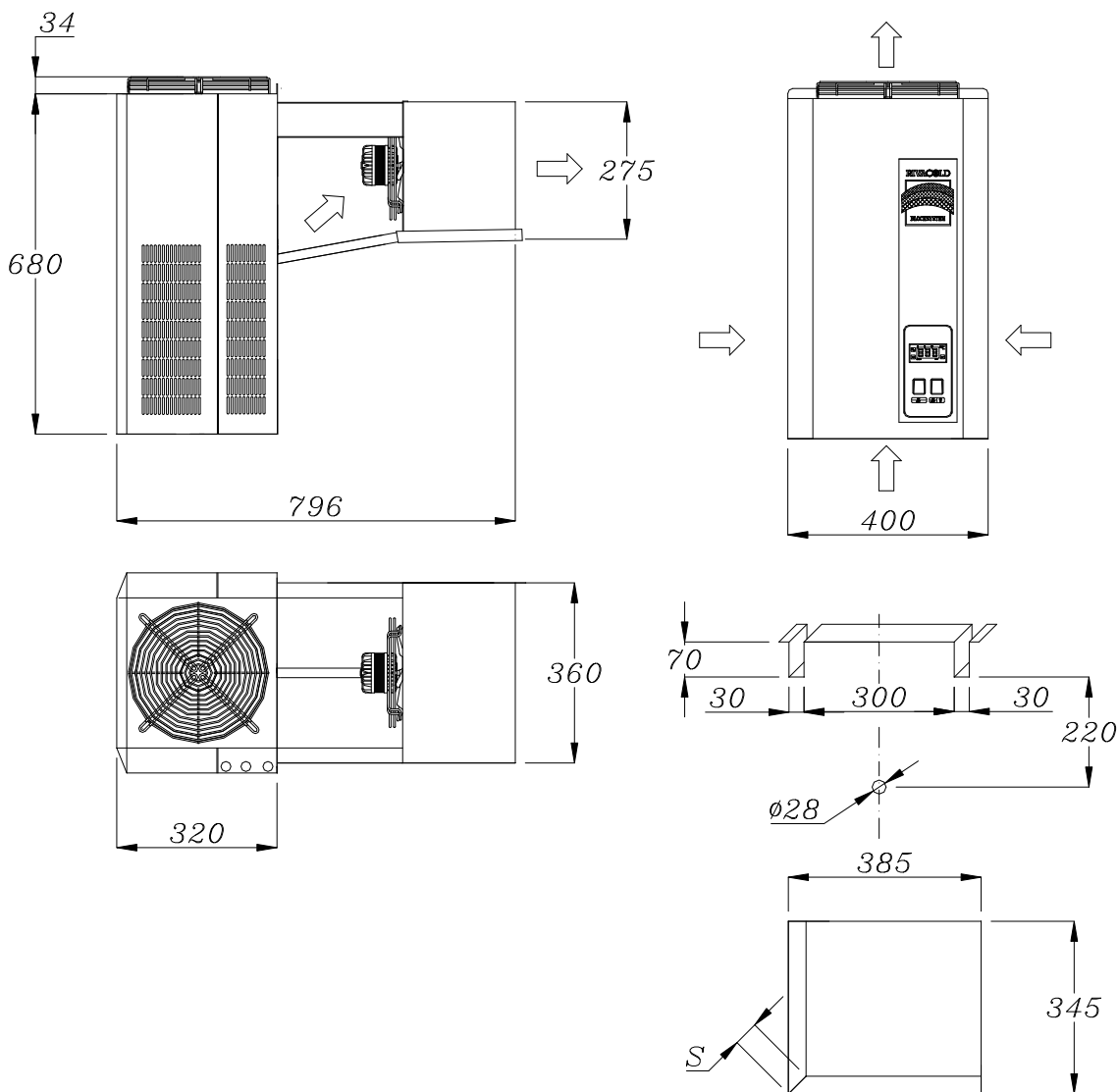
- Water-cooled condenser
- Winter controller complete consisting of: <sup>2)</sup>
  - Pressostatic speed controller
  - Oil sump heater
  - Low pressure switch
- Oil sump heater
- Low pressure switch
- Panel for slide-in device
- Assembly opening and/or recess

<sup>1)</sup> Measured in 10 m distance; variations possible depending on ambient conditions.

<sup>2)</sup> Winter control necessary at ambient temperatures of < +5°C. When mounted outside, unit must be roofed in.

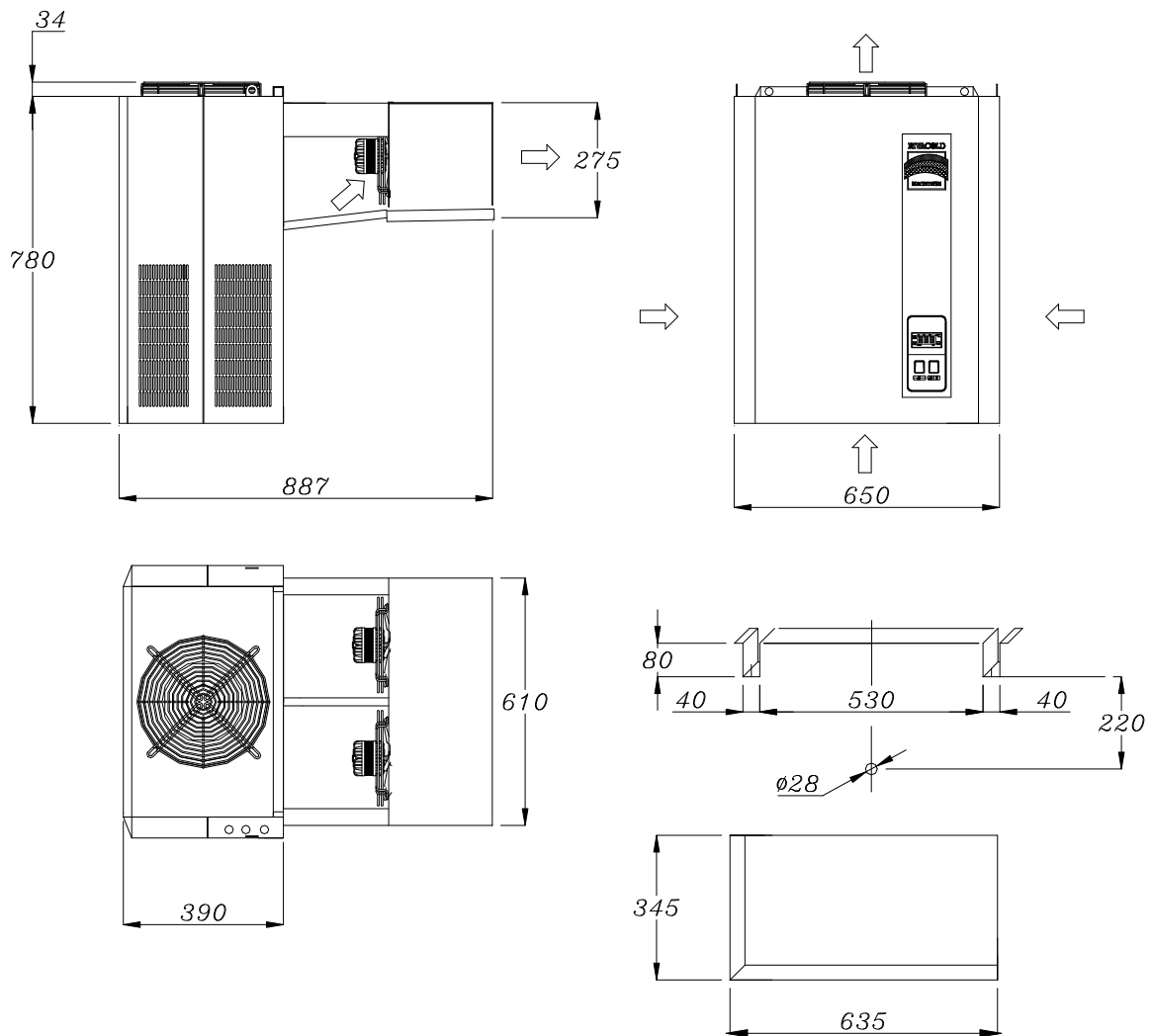
**CELLBOX Wall-mount units (R452a) – Figures and Dimensions**

**FORM A** Packaging dimensions W x L x H: 870 x 485 x 895 mm.



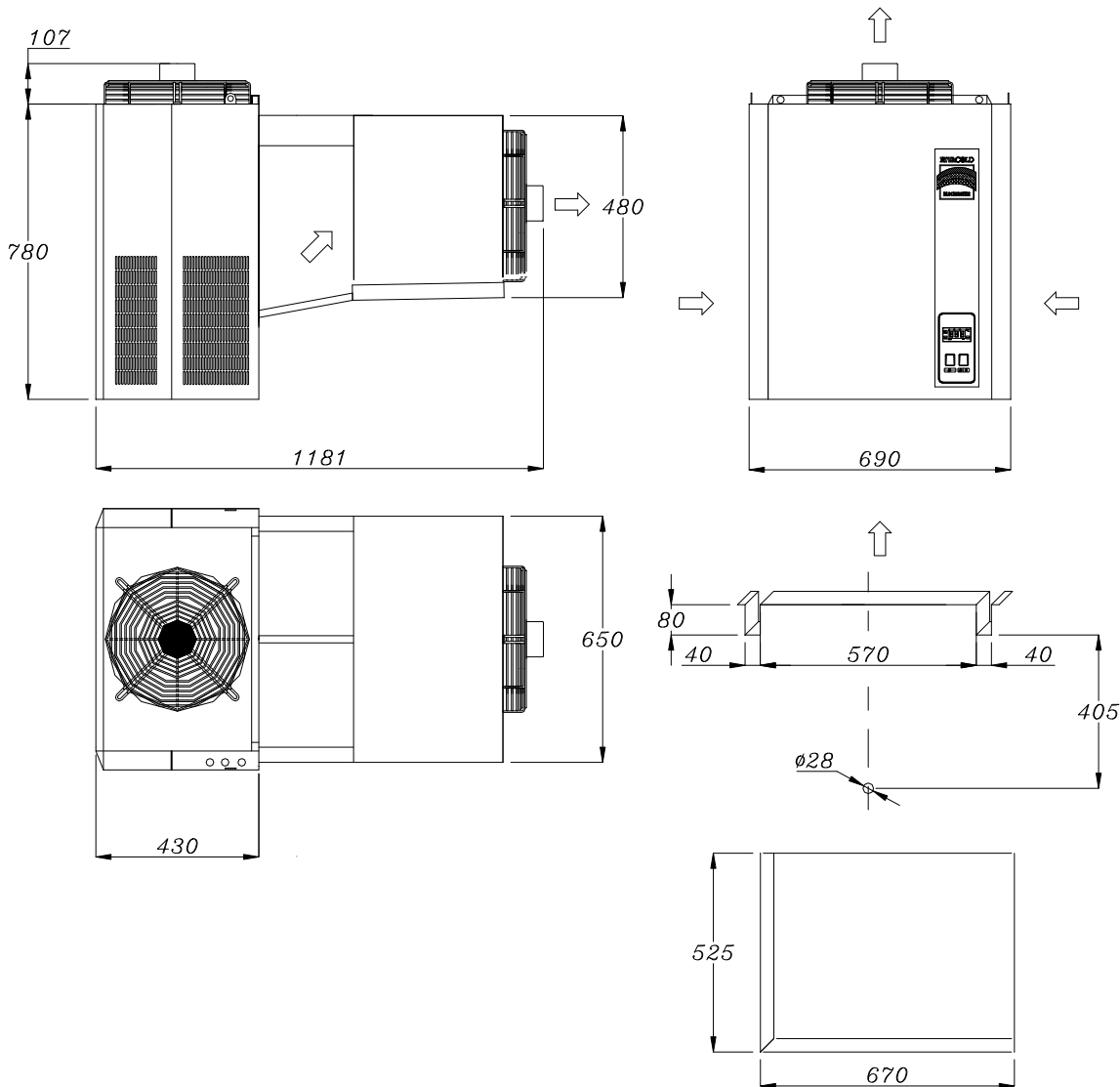
**CELLBOX Wall-mount Units (R452a) – Figures and Dimensions**

**FORM B** Packaging diemensions W x L x H: 785 x 1020 x 1025 mm.



**CELLBOX Wall-mount Units (R452a) – Figures and Dimensions**

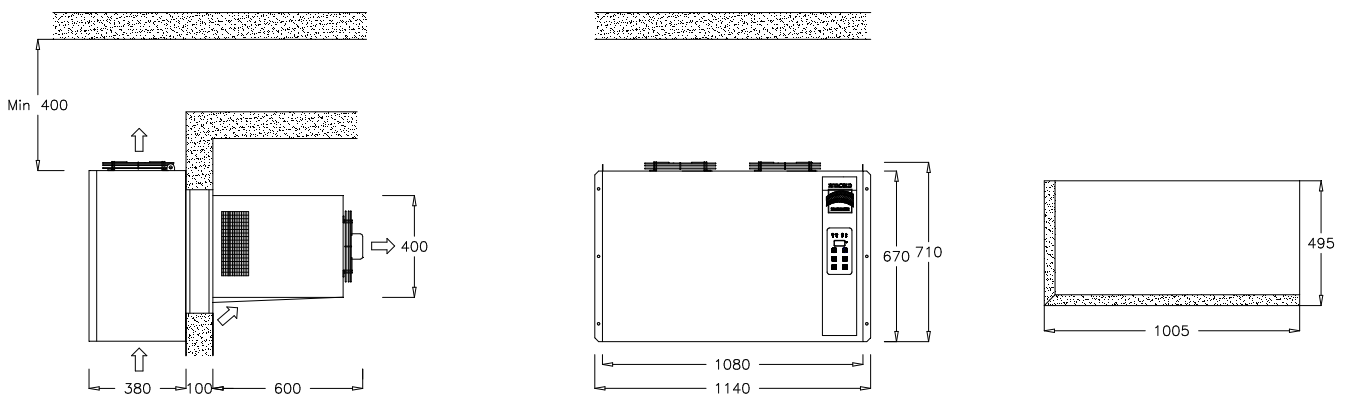
**FORM C** Packaging dimensions W x L x H: 835 x 1330 x 1065 mm.





**CELLBOX Wall-mount Units (R452a) – Figures and Dimensions**

**FORM D**      Packaging dimensions W x L x H: 1200 x 1192 x 980 mm



**CELLBOX Roof-mount units for Chilling (KD) and Freezing (TD) – R452a**

The CELLBOX BLOCK SYSTEMS consist of a ready-to-use condensation unit, a vaporizer, and an electronic temperature controller. They provide a simple solution for various refrigeration applications. They are available in different designs and deliver reliability due to accurate selection of components, our most stringent production and quality controls, and our long-time experience in refrigeration.

**GENERAL TECHNICAL CHARACTERISTICS**

- **Coolant: R452a**
- Self-supporting housing consisting of galvanised sheets, powder-coated
- Electronic temperature display and controller which - by means of an interface converter available as optional equipment - facilitate the connection to a monitoring and remote maintenance system
- Compressor (hermetic or semi-hermetic) with thermal coil protection
- CE approval
- Operating conditions: + 5 / + 43° C.
- Winter and/or tropics controller optional
- Air-cooled condensers (water-cooled condensers are available upon request)
- Expansion by means of capillary tube or expansion valve
- Automatic defrosting programmable by means of controller
- Condensed water discharge directly into condensate evaporation bowl
- Heat exchanger with copper pipes and aluminum ribs

## CELLBOX KD – Roof-mount Units for Chilling – R452a

- 5 / + 5 °C

Compact ready-to-use chilling unit for ceiling mounting

Coolant: R452 a

### Standard equipment:

- Electronic controller
- Remote control panel with 5 m connection cable
- Power cord 2.5 m with plug, fuse protection provided by customer
- Connection cable 2.5 m for door contact switch
- Lighting with 2.5 m cord
- Heated evaporation bowl for condensate
- High pressure switch
- For ambient temperature of up to 43°C

Refer to page 6 for figures and dimensions

Type	CELLBOX KD 100	CELLBOX KD 200	CELLBOX KD 300	CELLBOX KD 400								
<b>Form</b>	<b>A</b>	<b>B</b>	<b>C</b>	<b>C</b>								
<b>Electrical Parameters</b>												
Voltage Volt/Ph/Hz	230 / 1 / 50	230 / 1 / 50	230 / 1 / 50	230 / 1 / 50								
Power consumption W	539	814	1095	1280								
Current consumption A	3.2	4.9	5.8	6.2								
<b>Compressor</b>												
Type / output PS	Fully hermetic – <b>0.43</b>	Fully hermetic – <b>0.5</b>	Fully hermetic – <b>1.0</b>	Fully hermetic – <b>1.12</b>								
<b>Condenser</b>												
Fan (diameter) mm	1 x 254	1 x 300	2 x 254	2 x 254								
Air quantity m <sup>3</sup> / h	546	1053	1314	1314								
<b>Vaporizer</b>												
Fan (diameter) mm	1 x 200	1 x 200	2 x 200	2 x 200								
Air quantity m <sup>3</sup> / h	510	560	1020	960								
Air dispersion m	3	3	3.5	3.5								
Expansion	Capillary tube	Capillary tube	Capillary tube	Capillary tube								
<b>Type of defrosting</b>	Hot gas	Hot gas	Hot gas	Hot gas								
<b>Weight net / gross (kg)</b>	49 / 66	63 / 86	84 / 119	89 / 124								
<b>Noise level<sup>1)</sup> db(A)</b>	32,5	44,0	41,7	45,1								
<b>Cooling output W</b>												
Coldroom temperature °C	<b>+5</b>	<b>0</b>	<b>-5</b>	<b>+5</b>	<b>0</b>	<b>-5</b>	<b>+5</b>	<b>0</b>	<b>-5</b>	<b>+5</b>	<b>0</b>	<b>-5</b>
At +32° C outside temp.	860	753	655	1218	1072	934	1870	1619	1385	2298	1996	1711
At +43° C outside temp.	710	622	540	1018	901	783	1557	1349	1154	1949	1692	1448
All values based on 80 mm PUR insulation												
<b>Coldroom volume m<sup>3</sup></b>												
Coldroom temperature °C	<b>+5</b>	<b>0</b>	<b>-5</b>	<b>+5</b>	<b>0</b>	<b>-5</b>	<b>+5</b>	<b>0</b>	<b>-5</b>	<b>+5</b>	<b>0</b>	<b>-5</b>
At +32° C outside temp.	6,6	4,3	3,7	11,3	7,1	5,9	19,5	12,9	10,2	25,7	17,0	13,7
At +43° C outside temp.	5,0	3,3	2,8	8,1	5,3	4,4	14,3	9,4	7,4	19,2	12,7	10,2

### Accessories:

- Water-cooled condenser
- Oil sump heater
- Winter controller complete consisting of: <sup>2)</sup>
  - Pressostatic speed controller
  - Oil sump heater
  - Low pressure switch
- Low pressure switch
- Assembly opening and/or recess
- Expansion valve

<sup>1)</sup> Measured in 10 m distance; variations possible depending on ambient conditions.

<sup>2)</sup> Winter control necessary at ambient temperatures of < +5°C. When mounted outside, unit must be roofed in.

## CELLBOX KD – Roof-mount Units for Chilling – R452a

- 5 / + 5 °C

Compact ready-to-use chilling unit for ceiling mounting

Coolant: R452 a

### Standard equipment:

- Electronic controller
- Remote control panel with 5 m connection cable
- Power cord 2.5m w. plug, fuse protection provided by customer
- Connection cable 2.5m for door contact switch
- Lighting with 2.5 m cord
- Heated evaporation bowl for condensate
- High pressure switch
- For ambient temperature of up to 43°C

Refer to page 7 for figures and dimensions

Type	CELLBOX KD 500	CELLBOX KD 600				
<b>Form</b>	<b>D</b>	<b>D</b>				
<b>Electrical Parameters</b>						
Voltage Volt/Ph/Hz	400 / 3 / 50	400 / 3 / 50				
Power consumption W	1428	1646				
Current consumption A	3.6	4.4				
<b>Compressor</b>						
Type / output PS	Fully hermetic – <b>1.25</b>	Fully hermetic – <b>2.0</b>				
<b>Condenser</b>						
Fan (diameter) mm	2 x 300	2 x 300				
Air quantity m <sup>3</sup> / h	2500	2281				
<b>Vaporizer</b>						
Fan (diameter) mm	3 x 200	3 x 200				
Air quantity m <sup>3</sup> / h	1480	1390				
Air dispersion m	4	4				
Expansion	Capillary tube	Capillary tube				
<b>Type of defrosting</b>	Hot gas	Hot gas				
<b>Weight net / gross (kg)</b>	90 / 127	110 / 147				
<b>Noise level</b> <sup>1)</sup> db(A)	47,2	47,4				
<b>Cooling output W</b>						
Coldroom temperature °C	<b>+5</b>	<b>0</b>	<b>-5</b>	<b>+5</b>	<b>0</b>	<b>-5</b>
At +32° C outside temp.	2851	2442	2060	3415	2961	2531
At +43° C outside temp.	2398	2051	1725	2846	2456	2088
<b>Coldroom volume m<sup>3</sup></b>	All values based on 80 mm PUR insulation					
Coldroom temperature °C	<b>+5</b>	<b>0</b>	<b>-5</b>	<b>+5</b>	<b>0</b>	<b>-5</b>
At +32° C outside temp.	33,8	21,9	17,2	42,8	28,2	22,5
At +43° C outside temp.	25,0	16,2	12,8	31,4	20,5	16,2

### Accessories:

- Water-cooled condenser
- Winter controller complete consisting of: <sup>2)</sup>
  - Pressostatic speed controller
  - Oil sump heater
  - Low pressure switch
- Oil sump heater
- Low pressure switch
- Assembly opening and/or recess

<sup>1)</sup> Measured in 10 m distance; variations possible depending on ambient conditions.

<sup>2)</sup> Winter control necessary at ambient temperatures of < +5°C. When mounted outside, unit must be roofed in.

**CELLBOX TD – Roof-mount Units for Freezing – R452a****-15 / -25 °C**

Compact ready-to-use freezing unit for ceiling mounting

Coolant: **R452a****Standard equipment:**

- Electronic controller
- Remote control panel with 5 m connection cable
- Power cord 2.5 m with plug, fuse protection provided by customer
- Connection cable 2.5 m for door contact switch
- Lighting with 2.5 m cord
- Heated evaporation bowl for condensate
- High pressure switch
- For ambient temperature of up to 43°C

Refer to page 6 for figures and dimensions

Type	CELLBOX TD 100	CELLBOX TD 200	CELLBOX TD 300						
<b>Form</b>	<b>A</b>	<b>B</b>	<b>C</b>						
<b>Electrical Parameters</b>									
Voltage Volt/Ph/Hz	230 / 1 / 50	230 / 1 / 50	230 / 1 / 50						
Power consumption W	598	786	1127						
Current consumption A	2.9	3.8	6.4						
<b>Compressor</b>									
Type / output PS	Fully hermetic – <b>0.75</b>	Fully hermetic – <b>1.0</b>	Fully hermetic – <b>1.5</b>						
<b>Condenser</b>									
Fan (diameter) mm	1 x 254	1 x 300	2 x 254						
Air quantity m <sup>3</sup> / h	546	1053	1314						
<b>Vaporizer</b>									
Fan (diameter) mm	1 x 200	1 x 220	2 x 200						
Air quantity m <sup>3</sup> / h	510	560	960						
Air dispersion m	3	3	3,5						
Expansion	Expansion valve	Expansion valve	Expansion valve						
<b>Type of defrosting</b>	Hot gas	Hot gas	Hot gas						
<b>Weight net / gross (kg)</b>	52 / 69	54 / 77	90 / 125						
<b>Noise level<sup>1)</sup> db(A)</b>	32,4	44,1	42,2						
<b>Cooling output W</b>									
Coldroom temperature °C	<b>-15</b>	<b>-20</b>	<b>-25</b>	<b>-15</b>	<b>-20</b>	<b>-25</b>	<b>-15</b>	<b>-20</b>	<b>-25</b>
At +32° C outside temp.	693	586	486	1068	895	734	1523	1268	1030
At +43° C outside temp.	582	493	408	889	734	589	1257	1041	836
<b>Coldroom volume m<sup>3</sup></b>	All values based on PUR 100 mm insulation thickness								
Coldroom temperature °C	<b>-15</b>	<b>-20</b>	<b>-25</b>	<b>-15</b>	<b>-20</b>	<b>-25</b>	<b>-15</b>	<b>-20</b>	<b>-25</b>
At +32° C outside temp.	3,5	2,8	1,8	7,3	5,7	3,8	13,0	10,4	6,8
At +43° C outside temp.	2,5	2,0	1,4	5,2	4,0	2,6	9,1	7,3	4,6

**Accessories:**

- Water-cooled condenser
- Winter controller complete consisting of: <sup>2)</sup>
  - Pressostatic speed controller
  - Oil sump heater
  - Low pressure switch
- Oil sump heater
- Low pressure switch
- Assembly opening and/or recess

<sup>1)</sup> Measured in 10 m distance; variations possible depending on ambient conditions.<sup>2)</sup> Winter control necessary at ambient temperatures of < +5°C. When mounted outside, unit must be roofed in.

**CELLBOX TD – Roof-mount Units for Freezing – R452a**

**-15 / -25 °C**

**Compact ready-to-use freezing unit for roof mounting**

**Coolant: R452a**

**Standard equipment:**

- Electronic controller
- Remote control panel with 5 m connection cable
- Power cord 2.5 m with plug, fuse protection provided by customer
- Connection cable 2.5 m for door contact switch
- Lighting with 2.5 m cord
- Evaporation bowl for condensate heated
- High pressure switch
- For ambient temperature of up to 43°C

**Refer to page 7 for figures and dimensions**

Type	CELLBOX TD 400	CELLBOX TD 500	CELLBOX TD 600						
<b>Form</b>	D	E	E						
<b>Electrical Parameters</b>									
Voltage Volt/Ph/Hz	400 / 3 / 50	400 / 3 / 50	400 / 3 / 50						
Power consumption W	1288	2084	2882						
Current consumption A	3.5	5.8	6.9						
<b>Compressor</b>									
Type / output PS	Fully hermetic – 2.0	Fully hermetic – 3.0	Fully hermetic – 4.0						
<b>Condenser</b>									
Fan (diameter) mm	2 x 300	2 x 350	2 x 350						
Air quantity m <sup>3</sup> / h	2500	4287	3825						
<b>Vaporizer</b>									
Fan (diameter) mm	3 x 200	3 x 300	3 x 300						
Air quantity m <sup>3</sup> / h	1480	2200	2100						
Air dispersion m	4	5	5						
Expansion	Expansion valve	Expansion valve	Expansion valve						
<b>Type of defrosting</b>	Hot gas	Hot gas	Hot gas						
<b>Weight net / gross (kg)</b>	119 / 156	179 / 233	192 / 246						
<b>Noise level<sup>1)</sup> db(A)</b>	47,5	46,9	47,8						
<b>Cooling output W</b>									
Coldroom temperature °C	<b>-15</b>	<b>-20</b>	<b>-25</b>	<b>-15</b>	<b>-20</b>	<b>-25</b>	<b>-15</b>	<b>-20</b>	<b>-25</b>
At +32° C outside temp.	2103	1733	1395	3302	2772	2276	4220	3560	2949
At +43° C outside temp.	1736	1417	1124	2684	2244	1828	3471	2924	2415
<b>Coldroom volume m<sup>3</sup></b>	All values based on PUR 100 mm insulation thickness								
Coldroom temperature °C	<b>-15</b>	<b>-20</b>	<b>-25</b>	<b>-15</b>	<b>-20</b>	<b>-25</b>	<b>-15</b>	<b>-20</b>	<b>-25</b>
At +32° C outside temp.	22,2	17,3	11,1	44,7	36,4	24,2	65,2	52,7	35,7
At +43° C outside temp.	15,7	12,1	7,6	31,1	25,1	16,9	46,1	34,9	25,6

**Accessories:**

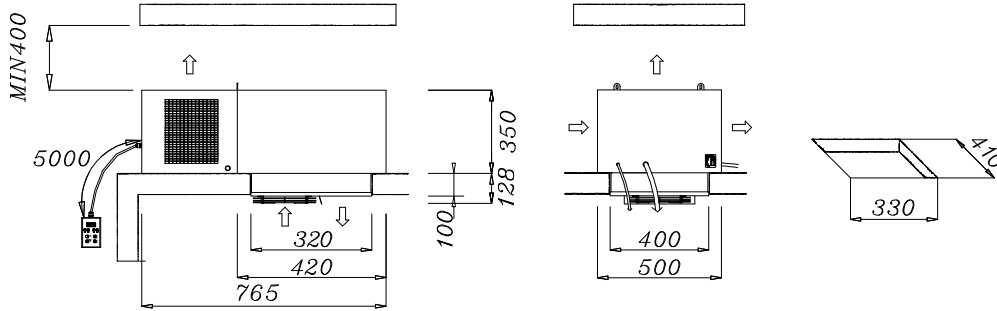
- Water-cooled condenser
- Winter controller complete consisting of: <sup>2)</sup>
  - Pressostatic speed controller
  - Oil sump heater
  - Low pressure switch
- Oil sump heater
- Low pressure switch
- Assembly opening and/or recess

<sup>1)</sup> Measured in 10 m distance; variations possible depending on ambient conditions.

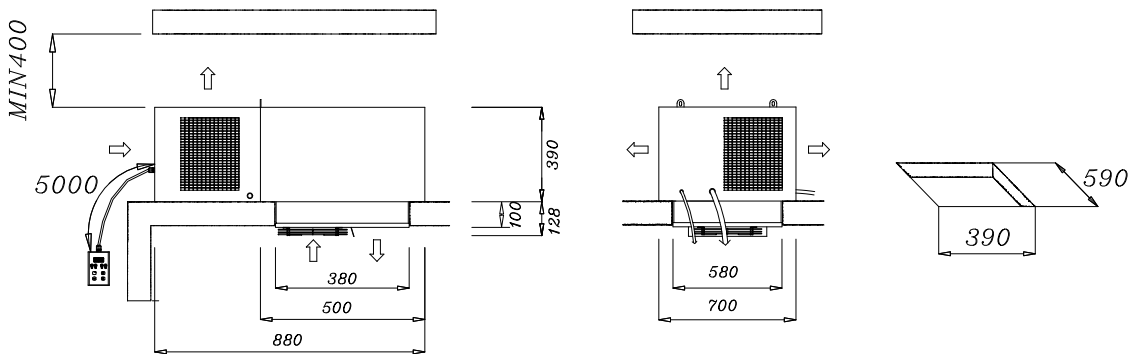
<sup>2)</sup> Winter control necessary at ambient temperatures of < +5°C. When mounted outside, unit must be roofed in.

**CELLBOX Roof-mount Units (R452a) – Figures and Dimensions**

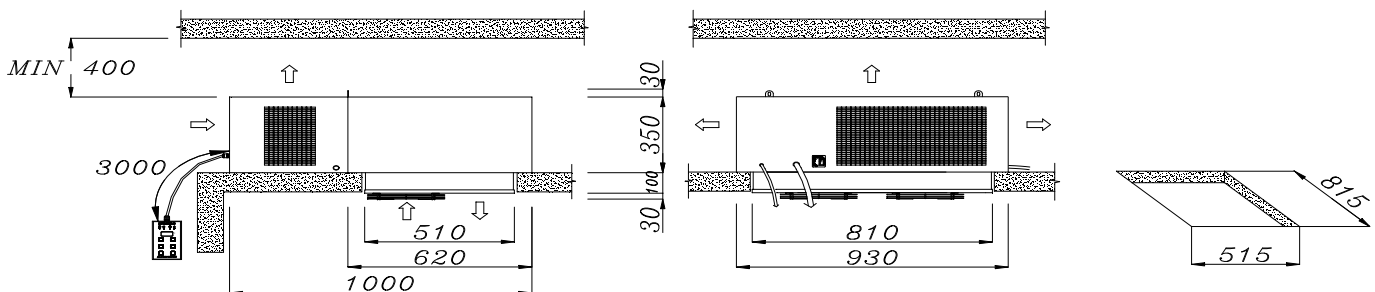
**FORM A** Packaging dimensions W x L x H: 920 x 600 x 661 mm



**FORM B** Packaging dimensions W x L x H: 990 x 800 x 700 mm

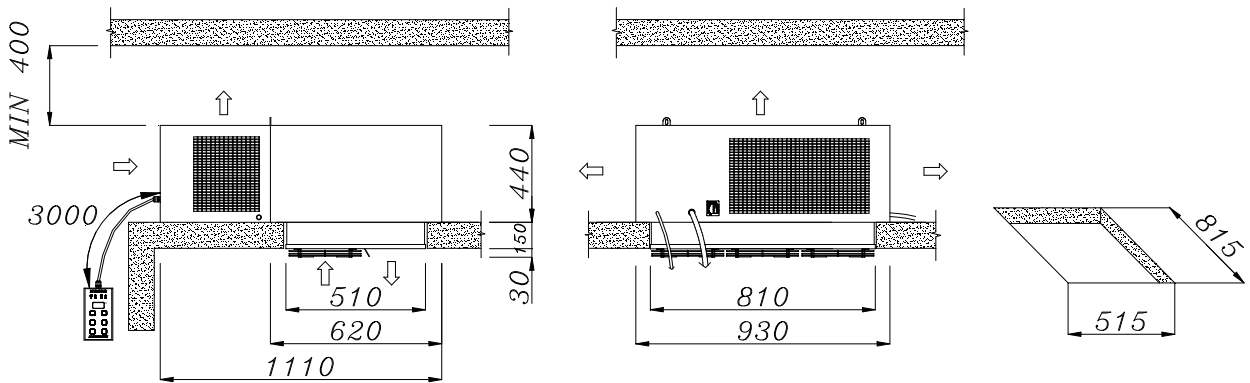


**FORM C** Packaging dimensions W x L x H: 1050 x 1250 x 806 mm

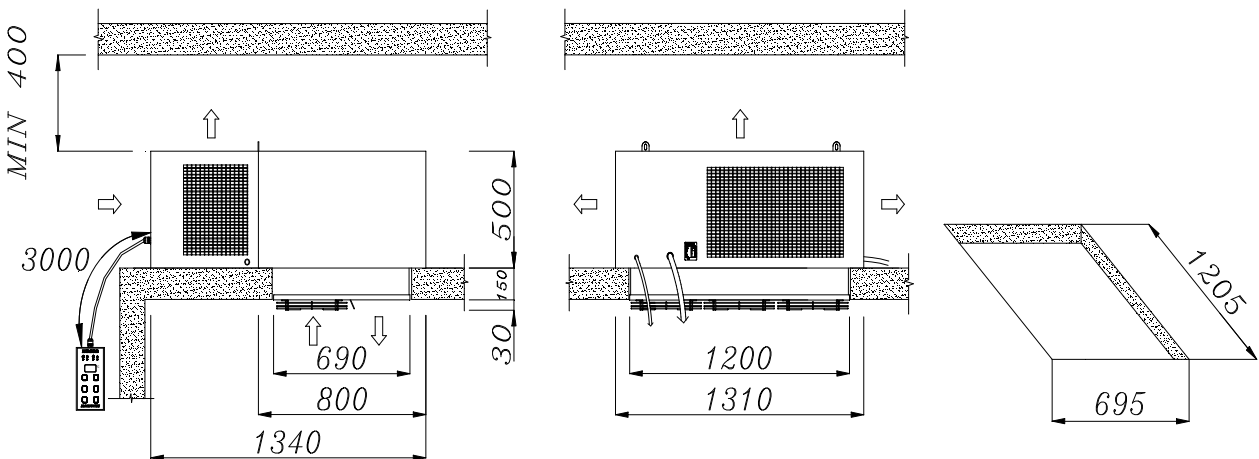


**CELLBOX Roof-mount Units (R452a) – Figures and Dimensions**

**FORM D** Packaging dimensions W x L x H: 1050 x 1250 x 806 mm



**FORM E** Packaging dimensions W x L x H: 1420 x 1460 x 876 mm





## CELLBOX Split-Units for Chilling (KS) and Freezing (TS) – R452a



### for refrigeration of coldrooms

The CELLBOX BLOCK SYSTEMS consist of a ready-to-use condensation unit, a vaporizer, and an electronic temperature controller. They provide a simple solution for various refrigeration applications. They are available in different designs and deliver reliability due to accurate selection of components, our most stringent production and quality controls, and our long-time experience in refrigeration.

### GENERAL TECHNICAL CHARACTERISTICS

- **Coolant: R452a**
- Self-supporting housing consisting of galvanized sheets, powder-coated
- Electronic temperature display and controller which - by means of an interface converter available as optional equipment - facilitate the connection to the a monitoring and remote maintenance system.
- Compressor (hermetic or semi-hermetic) with thermal coil protection
- CE approval
- Operating conditions: + 5 / + 43° C.
- Winter and/or tropics controller optional
- Air-cooled condensers (water-cooled condensers are available upon request)
- Expansion by means of capillary tube or expansion valve
- Automatic defrosting programmable by means of controller
- Heat exchanger with copper pipes and aluminium ribs

## CELLBOX KS – Split-Unit for Chilling - R452a

**- 5 / + 5 °C**

**Compact chilling unit as split device**

**Coolant: R452a**

### Standard equipment:

- For ambient temperature of up to 43°C
- Pre-filled coolant lines 5 m
- Electronic controller
- Remote control panel: connection length corresponds to cooling line
- Door contact switch: connection length corresponds to cooling line
- Lighting, cord length corresp. to cooling line
- Connection for pre-filled coolant lines
- High pressure switch
- Condensate discharge connection to the outside (with heater, without pipeline)
- Power cord 2.5 m with plug, fuse protection provided by customer

Refer to pages 6-7 for figures and dimensions

Type	CELLBOX KS 100	CELLBOX KS 200	CELLBOX KS 300	CELLBOX KS 400								
Form	Aa	Ab	Ba	Bb								
<b>Electrical Parameters</b>												
Voltage Volt/Ph/Hz	230 / 1 / 50	230 / 1 / 50	230 / 1 / 50	400 / 3 / 50								
Power consumption W	829	1145	1200	1292								
Current consumption A	5.2	5.6	5.8	3.4								
<b>Compressor</b>												
Type / output W	Fully hermetic - 370	Fully hermetic - 740	Fully hermetic - 880	Fully hermetic - 920								
<b>Condenser</b>												
Fan (diameter) mm	1 x 254	1 x 254	1 x 300	1 x 300								
Air quantity m <sup>3</sup> / h	683	657	1270	1206								
<b>Vaporizer</b>												
Fan (diameter) mm	1 x 200	2 x 200	2 x 200	2 x 250								
Air quantity m <sup>3</sup> / h	600	1213	1170	1602								
Air dispersion m	3	3.5	3.5	3.5								
Expansion	Capillary tube	Capillary tube	Capillary tube	Expansion valve								
Type of defrosting	Electrical	Electrical	Electrical	Electrical								
Weight net / gross (kg)	58 / 69	61 / 79	78 / 97	85 / 105								
Noise level <sup>1)</sup> db(A)	34,0	42,2	44,2	44,4								
<b>Cooling output W</b>												
Coldroom temp. °C	<b>+5</b>	<b>0</b>	<b>-5</b>	<b>+5</b>	<b>0</b>	<b>-5</b>	<b>+5</b>	<b>0</b>	<b>-5</b>	<b>+5</b>	<b>0</b>	<b>-5</b>
At +32° C outside temp.	1112	979	855	1711	1501	1301	2226	1932	1656	2522	2165	1833
At +43° C outside temp.	939	829	719	1458	1269	1092	1895	1641	1403	2140	1834	1545
<b>Coldroom volume m<sup>3</sup></b>					All values based on PUR 80 mm insulation thickness							
Coldroom temperature °C	<b>+5</b>	<b>0</b>	<b>-5</b>	<b>+5</b>	<b>0</b>	<b>-5</b>	<b>+5</b>	<b>0</b>	<b>-5</b>	<b>+5</b>	<b>0</b>	<b>-5</b>
At +32° C outside temp.	9,1	6,0	4,0	17,0	11,9	7,9	23,7	16,3	10,5	28,1	19,1	12,1
At +43° C outside temp.	6,1	4,2	3,4	11,7	7,6	6,5	17,1	11,0	8,5	21,0	13,1	9,9

### Accessories:

- Water-cooled condenser
- Winter controller complete consisting of: <sup>2)</sup>
  - Pressostatic speed controller
  - Oil sump heater
  - Low pressure switch
- Oil sump heater
- Expansion valve (standard for KS 400)
- Pre-filled coolant lines 10 m
- Pre-filled coolant lines 15 m

<sup>1)</sup> Measured in 10 m distance; variations possible depending on ambient conditions.

<sup>2)</sup> Winter control necessary at ambient temperatures of < +5°C. When mounted outside, unit must be roofed in.

<sup>3)</sup> As for the scope of installation, please notice description on page 9.

## CELLBOX KS – Split-Unit for Chilling – R452a

**- 5 / + 5 °C**

**Compact chilling unit as split device**

**Coolant: R452a**

### Standard equipment:

- For ambient temperature of up to 43°C
- Pre-filled coolant lines 5 m
- Electronic controller
- Remote control panel: connection length corresponds to cooling line
- Door contact switch: connection length corresponds to cooling line
- Lighting, cord length corresp. to cooling line
- Connection for pre-filled coolant lines
- High pressure switch
- Condensate discharge connection to the outside (with heater, without pipeline)
- Power cord 2.5 m with plug, fuse protection provided by customer

**Refer to page 8 for figures and dimensions**

Type	CELLBOX KS 500	CELLBOX KS 600	CELLBOX KS 700						
<b>Form</b>	<b>Bc</b>	<b>C</b>	<b>C</b>						
<b>Electrical Parameters</b>									
Voltage Volt/Ph/Hz	400 / 3 / 50	400 / 3 / 50	400 / 3 / 50						
Power consumption W	1525	1615	1990						
Current consumption A	4.6	4.8	5.3						
<b>Compressor</b>									
Type / output W	Fully hermetic - 1100	Fully hermetic - 1100	Fully hermetic - 1470						
<b>Condenser</b>									
Fan (diameter) mm	1 x 300	1 x 350	1 x 350						
Air quantity m <sup>3</sup> / h	1206	2116	2035						
<b>Vaporizer</b>									
Fan (diameter) mm	3 x 254	3 x 254	3 x 254						
Air quantity m <sup>3</sup> / h	2364	2364	2167						
Air dispersion m	7,5	7,5	7						
Expansion	Expansion valve	Expansion valve	Expansion valve						
<b>Type of defrosting</b>	Electrical	Electrical	Electrical						
<b>Weight net / gross (kg)</b>	92 / 114	102 / 125	113 / 136						
<b>Noise level<sup>1)</sup> db(A)</b>	44,7	44,6	44,6						
<b>Cooling output W</b>									
Coldroom temp. °C	<b>+5</b>	<b>0</b>	<b>-5</b>	<b>+5</b>	<b>0</b>	<b>-5</b>	<b>+5</b>	<b>0</b>	<b>-5</b>
At +32° C outside temp.	3099	2703	2323	3264	2833	2423	3809	3281	2778
At +43° C outside temp.	2564	2227	1906	2723	2352	2001	3136	2687	2255
<b>Coldroom volume m<sup>3</sup></b>	All values based on PUR 80 mm insulation thickness								
Coldroom temperature °C	<b>+5</b>	<b>0</b>	<b>-5</b>	<b>+5</b>	<b>0</b>	<b>-5</b>	<b>+5</b>	<b>0</b>	<b>-5</b>
At +32° C outside temp.	37,1	26,0	16,8	39,6	27,6	17,8	47,1	36,1	23,5
At +43° C outside temp.	27,3	17,3	13,3	29,6	18,6	14,2	35,0	20,5	16,4

### Accessories:

- Water-cooled condenser
- Oil sump heater
- Winter controller complete consisting of: <sup>2)</sup>
  - Pressostatic speed controller
  - Oil sump heater
  - Low pressure switch
- Pre-filled coolant lines 10 m
- Pre-filled coolant lines 15 m

<sup>1)</sup> Measured in 10 m distance; variations possible depending on ambient conditions.

<sup>2)</sup> Winter control necessary at ambient temperatures of < +5°C. When mounted outside, unit must be roofed in.

<sup>3)</sup> As for the scope of installation, please notice description on page 9.

**CELLBOX TS - Split-Unit for Freezing - R452a****-15 / -25 °C**

Compact freezing unit as split device

Coolant: **R452a****Standard equipment:**

- For ambient temperature of up to 43°C
- Pre-filled coolant lines 5 m
- Electronic controller
- Remote control panel: connection length corresponds to cooling line
- Door contact switch: connection length corresponds to cooling line
- Lighting, cord length corresp. to cooling line
- Connection for pre-filled coolant lines
- High pressure switch
- Condensate discharge connection to the outside (with heater, without pipeline)
- Power cord 2.5 m with plug, fuse protection provided by customer

Refer to pages 6-7 for figures and dimensions

Type	CELLBOX TS 100	CELLBOX TS 200	CELLBOX TS 300	CELLBOX TS 400								
<b>Form</b>	<b>Aa</b>	<b>Aa</b>	<b>Ab</b>	<b>Bb</b>								
<b>Electrical Parameters</b>												
Voltage Volt/Ph/Hz	230 / 1 / 50	230 / 1 / 50	230 / 1 / 50	230 / 1 / 50								
Power consumption W	602	786	1061	1067								
Current consumption A	3.4	3.8	5.7	6.0								
<b>Compressor</b>												
Type / output W	Fully hermetic – 740	Fully hermetic – 740	Fully hermetic - 1100	Fully hermetic - 1100								
<b>Condenser</b>												
Fan (diameter) mm	1 x 254	1 x 254	1 x 254	1 x 300								
Air quantity m <sup>3</sup> / h	630	657	657	1270								
<b>Vaporizer</b>												
Fan (diameter) mm	1 x 200	1 x 200	2 x 200	2 x 254								
Air quantity m <sup>3</sup> / h	630	600	1230	1602								
Air dispersion m	3	3	3.5	7.5								
Expansion	Expansion Valve	Expansion Valve	Expansion Valve	Expansion Valve								
<b>Type of defrosting</b>	Electric	Electric	Electric	Electric								
<b>Weight net / gross (kg)</b>	58 / 74	62 / 78	66 / 84	78 / 98								
<b>Noise level<sup>1)</sup> db(A)</b>	33,8	42,1	42,6	44,4								
<b>Cooling output W</b>												
Coldroom temperature °C	<b>-15</b>	<b>-20</b>	<b>-25</b>	<b>-15</b>	<b>-20</b>	<b>-25</b>	<b>-15</b>	<b>-20</b>	<b>-25</b>	<b>-15</b>	<b>-20</b>	<b>-25</b>
At +32° C outside temp.	734	624	522	963	808	663	1221	1028	845	1522	1264	1025
At +43° C outside temp.	612	519	431	806	665	533	1029	857	692	1253	1033	826
<b>Coldroom volume m<sup>3</sup></b>	All values based on PUR 100 mm insulation thickness											
Coldroom temperature °C	<b>-15</b>	<b>-20</b>	<b>-25</b>	<b>-15</b>	<b>-20</b>	<b>-25</b>	<b>-15</b>	<b>-20</b>	<b>-25</b>	<b>-15</b>	<b>-20</b>	<b>-25</b>
At +32° C outside temp.	5,6	3,3	1,9	8,5	5,0	2,7	13,1	7,3	4,1	21,3	11,5	6,6
At +43° C outside temp.	3,4	2,2	1,3	5,4	3,1	2,0	10,1	5,4	3,6	13,9	7,5	5,1

**Accessories:**

- Water-cooled condenser
- Signal amplifier for remote control panel >10m
- Winter controller complete consisting of:<sup>2)</sup>
  - Pressostatic speed controller
  - Oil sump heater
  - Low pressure switch
- Oil sump heater
- Low pressure switch
- Pre-filled coolant lines 10 m
- Pre-filled coolant lines 15 m

<sup>1)</sup> Measured in 10 m distance; variations possible depending on ambient conditions.<sup>2)</sup> Winter control necessary at ambient temperatures of < +5°C. When mounted outside, unit must be roofed in.<sup>3)</sup> As for the scope of installation, please notice description on page 9.

## CELLBOX TS – Split-Units for Freezing – R452a

**-15 / -25 °C**

Compact freezing unit as split device

Coolant: R452a

### Standard equipment:

- For ambient temperature of up to 43°C
- Pre-filled coolant lines 5 m
- Electronic controller
- Remote control panel: connection length corresponds to cooling line
- Door contact switch: connection length corresponds to cooling line
- Lighting, cord length corresp. to cooling line
- Connection for pre-filled coolant lines
- High pressure switch
- Condensate discharge connection to the outside (with heater, without pipeline)
- Power cord 2.5 m with plug, fuse protection provided by customer

Refer to page 7-8 for figures and dimensions

Type	CELLBOX TS 500	CELLBOX TS 600	CELLBOX TS 700						
<b>Form</b>	<b>Bb</b>	<b>C</b>	<b>C</b>						
<b>Electrical Parameters</b>									
Voltage Volt/Ph/Hz	400 / 3 / 50	400 / 3 / 50	400 / 3 / 50						
Power consumption W	1428	1533	1852						
Current consumption A	3.6	4.3	5.0						
<b>Compressor</b>									
Type / output PS	Fully hermetic - 1470	Fully hermetic - 1470	Fully hermetic - 2200						
<b>Condenser</b>									
Fan (diameter) mm	1 x 300	1 x 350	1 x 350						
Air quantity m <sup>3</sup> / h	1206	2116	2035						
<b>Vaporizer</b>									
Fan (diameter) mm	2 x 254	3 x 254	3 x 254						
Air quantity m <sup>3</sup> / h	1602	2364	2364						
Air dispersion m	7.5	7.5	7.5						
Expansion	Expansion Valve	Expansion Valve	Expansion Valve						
<b>Type of defrosting</b>	Electric	Electric	Electric						
<b>Weight net / gross (kg)</b>	89 / 109	111 / 134	111 / 134						
<b>Noise level<sup>1)</sup> db(A)</b>	45,0	44,6	46,3						
<b>Cooling output W</b>									
Coldroom temperature °C	<b>-15</b>	<b>-20</b>	<b>-25</b>	<b>-15</b>	<b>-20</b>	<b>-25</b>	<b>-15</b>	<b>-20</b>	<b>-25</b>
At +32° C outside temp.	1875	1553	1254	2187	1809	1458	2599	2144	1725
At +43° C outside temp.	1582	1290	1018	1834	1492	1174	2174	1770	1397
<b>Coldroom volume m<sup>3</sup></b>	All values based on PUR 100 mm insulation thickness								
Coldroom temperature °C	<b>-15</b>	<b>-20</b>	<b>-25</b>	<b>-15</b>	<b>-20</b>	<b>-25</b>	<b>-15</b>	<b>-20</b>	<b>-25</b>
At +32° C outside temp.	24,7	15,3	8,9	27,3	16,5	9,3	43,7	25,4	14,1
At +43° C outside temp.	17,5	9,7	6,0	21,9	12,8	7,3	32,3	24,3	11,0

### Accessories:

- Water-cooled condenser
- Oil sump heater
- Winter controller complete consisting of: <sup>2)</sup>
  - Pressostatic speed controller
  - Oil sump heater
  - Low pressure switch
- Low pressure switch
- Pre-filled coolant lines 10 m
- Pre-filled coolant lines 15 m

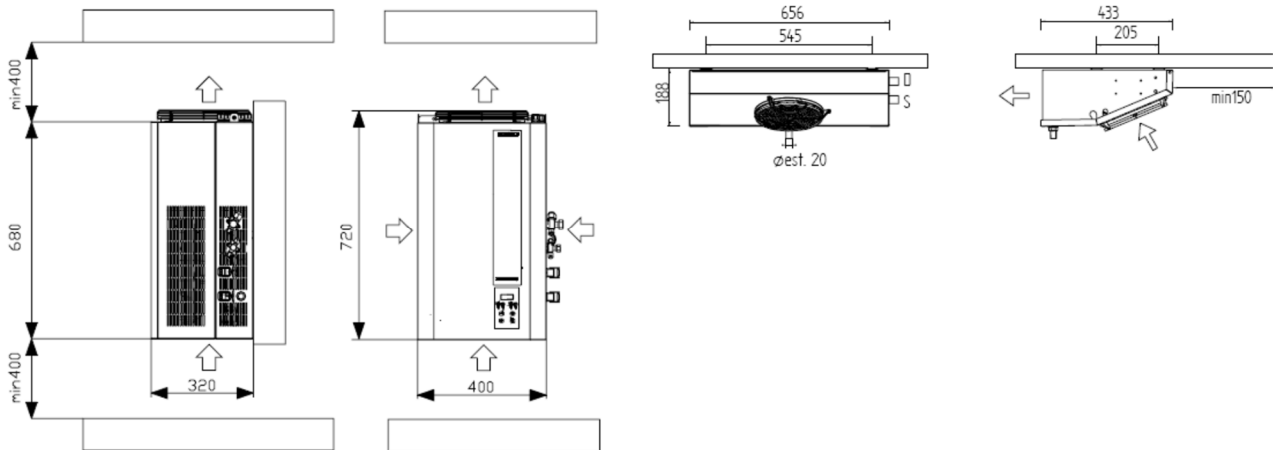
<sup>1)</sup> Measured in 10 m distance; variations possible depending on ambient conditions.

<sup>2)</sup> Winter control necessary at ambient temperatures of < +5°C. When mounted outside, unit must be roofed in.

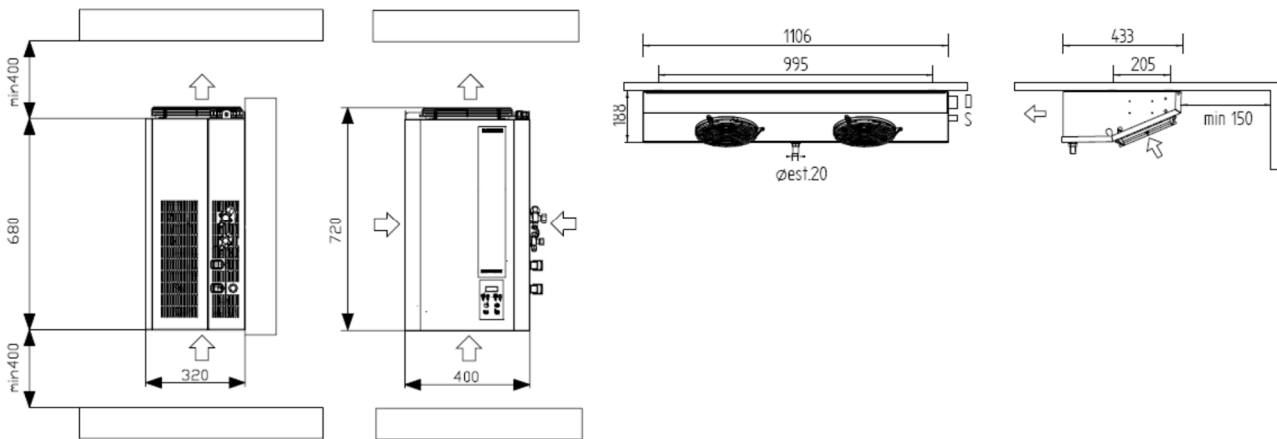
<sup>3)</sup> As for the scope of installation, please notice description on page 9.

**CELLBOX Split-Units (R452a) – Figures and Dimensions**

**FORM Aa** Packaging dimensions WxLxH : 800 x 600 x 1120 mm

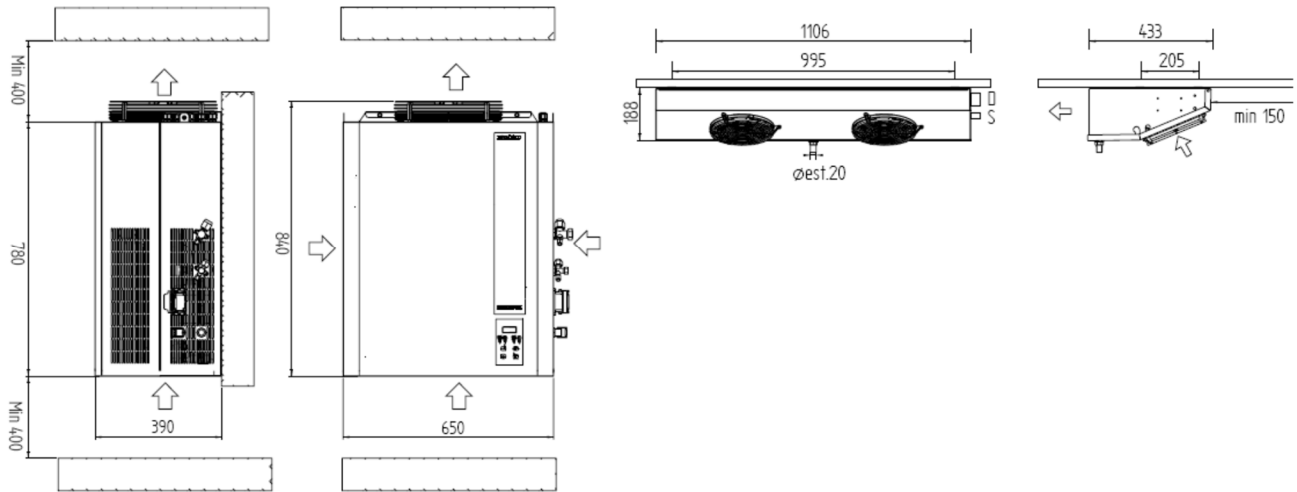


**FORM Ab** Packaging dimensions WxLxH: 1240 x 600 x 1120 mm

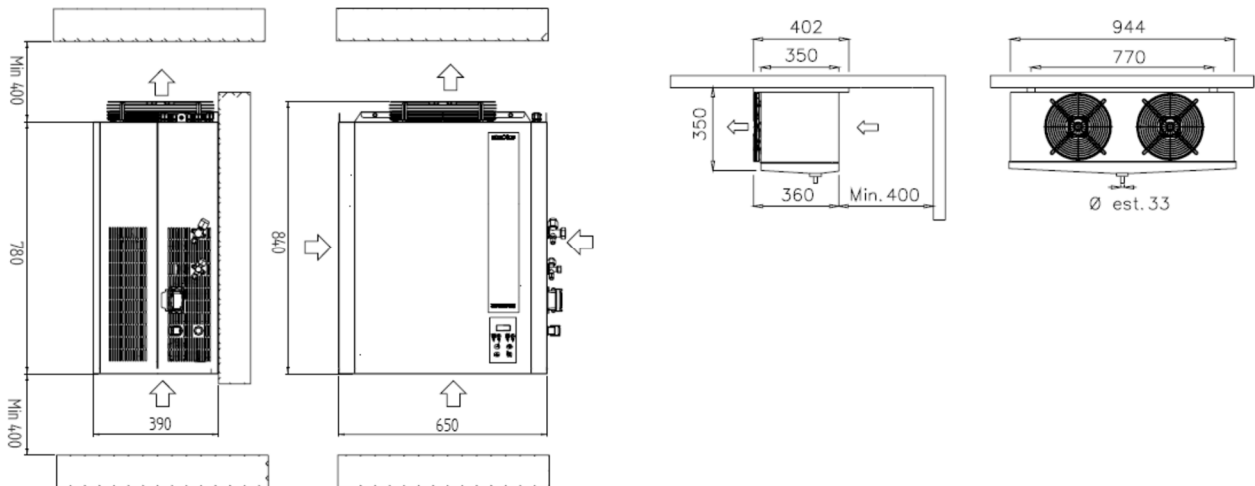


**CELLBOX Split-Units (R452a) – Figures and Dimensions**

**FORM Ba** Packaging dimensions WxLxH: 1240 x 600 x 1425 mm

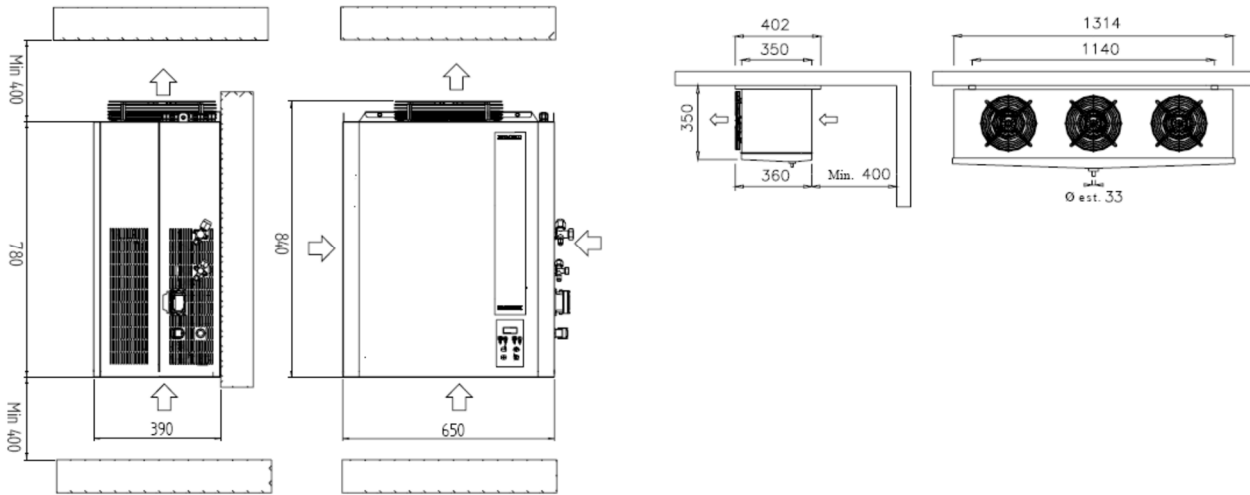


**FORM Bb** Packaging dimensions WxLxH: 1240 x 600 x 1425 mm



**CELLBOX Split-Units (R452a) – Figures and Dimensions**

**FORM Bc** Packaging dimensions WxLxH: 1435 x 600 x 1475 mm



**FORM C** Packaging dimensions WxLxH: 1435 x 600 x 1475 mm

